

# HSF

**NOTES:**

Current Rating:1AMP  
 Contact Resistance:30mΩ max  
 Withstand Voltage:250V AC/DC  
 Insulation Resistance:1000MΩ min  
 Operation Temperature:-40°C to +105°C

Contact Material:Phosphor Bronze(C5191-H)  
 Contact plating:Au Or Sn Over Ni  
 Insulator Material:PA9T+33%GF(UL94V-0)

## Ordering Information

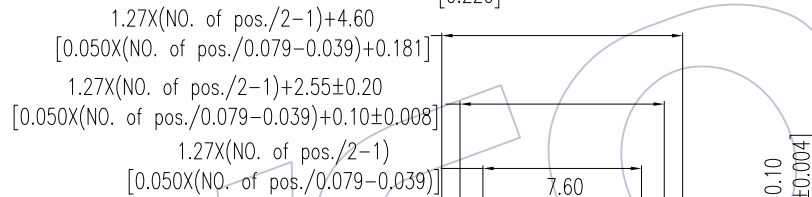
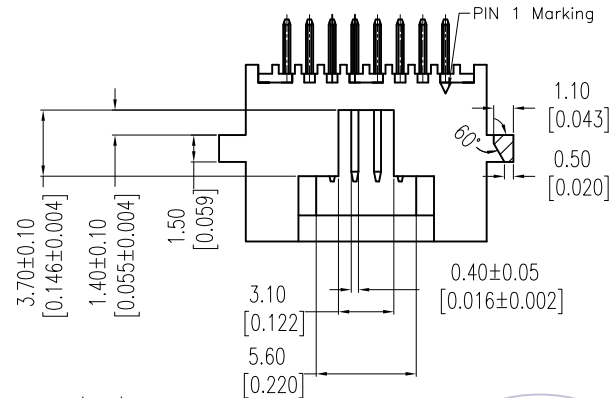
WF1271 - 2WSH **XX** **B** **X** **0**

No. of pins  
04-50P

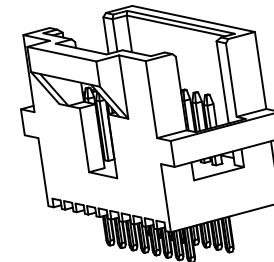
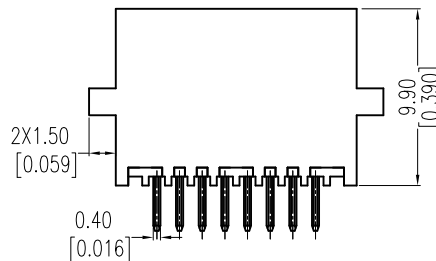
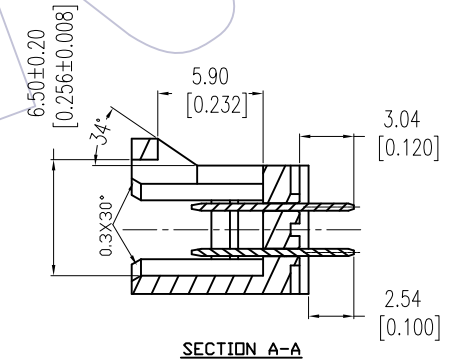
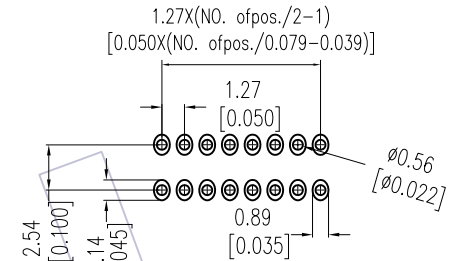
Contact Plating  
 S0=Gold Flash/Tin  
 S3=10u"Gold/Tin  
 S4=15u"Gold/Tin  
 S5=30u"Gold/Tin  
 G0=Gold Flash  
 G3=10u"Gold  
 G4=15u"Gold  
 G5=30u"Gold  
 Blank=Tin

Color  
 B=Black

Packing  
 T=Tube  
 R=Tape&Reel



Recommended P.C.B Layout (Top Side)  
 (PCB BOARD TOLERANCE ±0.05)



				OPERATION		DRAW		DATE		SCALE		FIT		PART NO.	
				X.X	±0.40	Ding		2017/01/09		UNIT	mm	WF1271-2WSHXXBX0			
				X.XX	±0.25	CHECK		DATE		SIZE	A4	TITLE: 1.27*2.54 Wafer 180° DIP H=9.90 W/O LOGO W/T Ear (Without Fixing Hardware)			
				X.XXX	±0.15	APPROVE		DATE		SHEET	1/1	Customer NO.			
AO	2017/01/09	NEW		Angle	± 3'					PROJ.	⌀	WCON-Dongguan Tel: +86 769 85358920 Fax: +86 769 85358915 E-mail: sales@wcon.com		WCON-Kunshan Tel: +86 512 57468408 Fax: +86 512 57468468 E-mail: salesks@wcon.com	
REV	DATE	MODIFICATION DESCRIPTION		DIM	TOL	CHANGE						Http: www.wcon.com			