

HSF

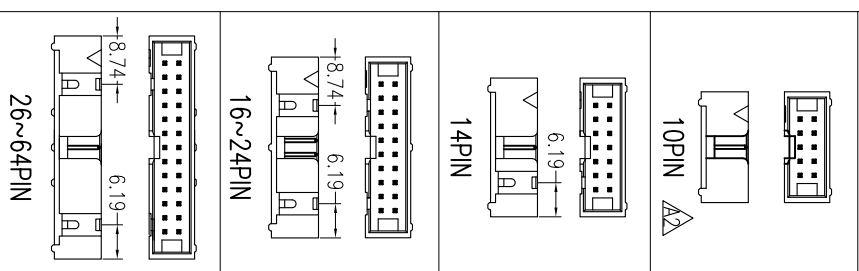
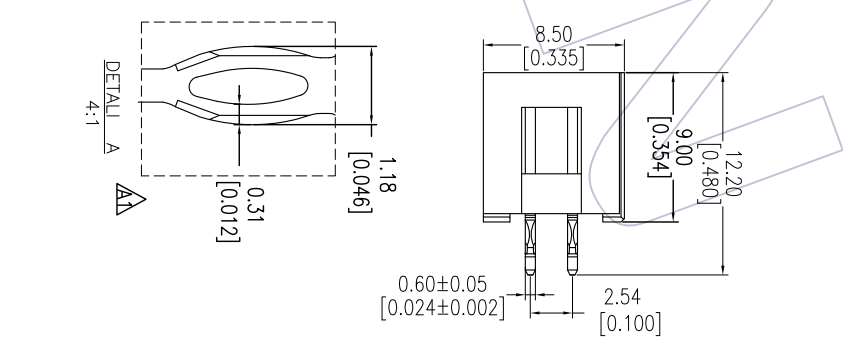
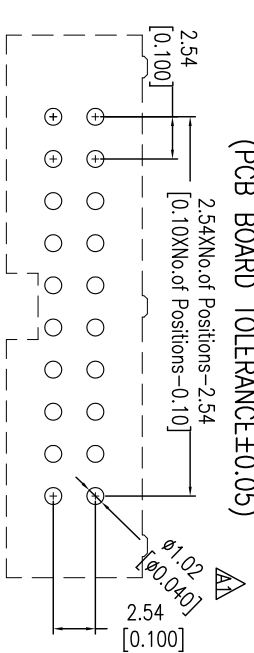
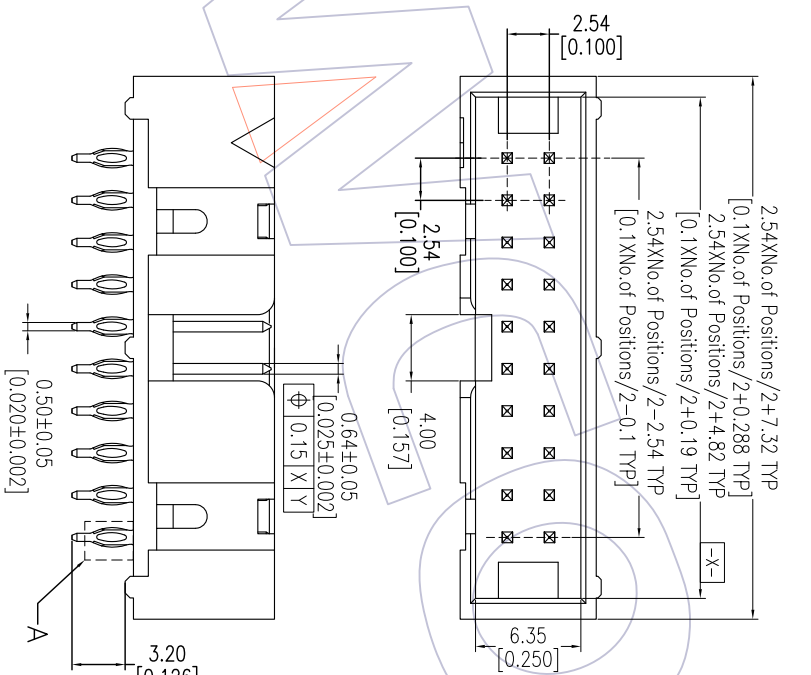
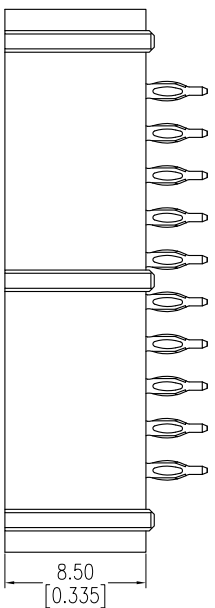
NOTES:

- Current Rating: 3AMP
- Contact Resistance: 20mΩ max
- Withstand Voltage: 500V AC/DC
- Insulation Resistance: 1000MΩ min
- Operation Temperature: -55°C to +105°C
- Contact Material: Brass
- Contact plating: Au or Sn Over Ni
- Insulator Material: PBT+30%G.F.(UL94V-0)

Ordering Information

3113-XX P XX B K00 X 1

- | | | | |
|-------------|-------------------|-----------------|------------|
| No. of Pins | Contact Plating | Color Insulator | Packaging: |
| 10P 30P | G0=Gold Flash | B=Black | A=Tray |
| 14P 34P | G3=10u"Gold | U=Blue | T=Tube |
| 16P 40P | G4=15u"Gold | G=Gray(427C) | |
| 20P 50P | G5=30u"Gold | E=Gray(413C) | |
| 24P 60P | S0=Gold Flash/Tin | | |
| 26P 64P | S1=3u"Gold/Tin | | |
| | S4=15u"Gold/Tin | | |
| | S5=50u"Gold/Tin | | |
| | SN=Tin | | |



REV	DATE	MODIFICATION DESCRIPTION	CHANGE
A0	2011/06/27	NEW	
A1	2012/07/12	MODIFY PCB HOLE	
A2	15/03/30	Modify Drawing	

OPERATION	DRAW	DATE	SCALE	FIT
XX	William Chen	15/03/30	UNIT	mm
±0.40	CHECK	DATE	SIZE	A4
±0.25	APPROVE	DATE	SHEET	1/1
±0.15	PROJ.			
± 3°				

PART NO.	3113-XXPXXBK00X1
TITLE:	2.54PITCH BOX PRESS FIT TYPE
Customer NO.	

WCON

WCON-Dongguan
 Http: www.wcon.com
 Tel: +86 769 85358920
 Fax: +86 769 85358915
 E-mail: sales@wcon.com

WCON-Kunshan
 Tel: +86 512 57468408
 Fax: +86 512 57468468
 E-mail: sales@wcon.com